

CUSTOMER CARE DEPARTMENT	PUBLIC RELATION DEPARTMENT	LAISON DEPARTMENT	SECURITY DEPARTMENT
AGM - 1	CM - 1	CM - 1	AGM (Security) - 1
CM - 1	DM - 1	Manager - 1	MANAGER - 1
MANAGER - 2	ASSISTANT - 1	Assistant - 2	OFFICER - 2
DM - 4	EXTRA - 1		
CLERK - 3			

**ENARC CONSULTANTS**  
**ARCHITECTS AND ENGINEERS**  
 M. G. Road, Thrissur - 1.  
 Tel. : +91 (487) 2441901  
 Fax : +91 (487) 2442011  
 E-mail : office@enarc.net.in

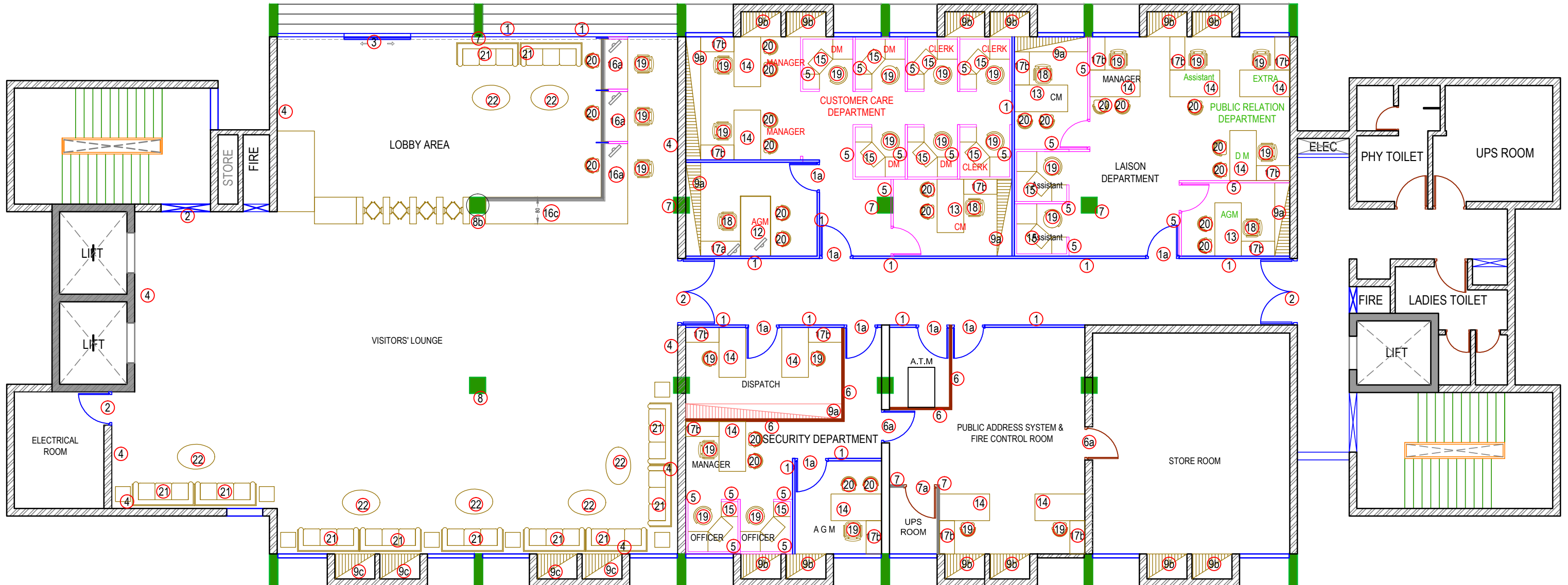
PROPOSED INTERIOR FURNISHING FOR HEAD OFFICE  
 STATE BANK OF INDIA,  
 TRIVANDRUM  
**GROUND FLOOR LAYOUT**

**LEGEND**  
 FULLY GLAZED PARTITIONS  
 MODULAR PARTITIONS (120 cm ht.)  
 SOLID PARTITIONS  
 FIRE RATED CEMENT PARTITION

Drawn by: GINISH K G  
 Architect: PRAVEEN.P  
 B. Arch.[Reg], A.I.I.A, A.I.I.I.D

Chief Architect: Ar. K. RAMAKRISHNAN  
 B.Sc.(Engg), M.I.E., C. Eng (I),  
 F.I.V, F.I.I.A. (Regd), A.I.I.I.D

Date: 31-05-2018  
 Sheet No : 01  
 Revision Date:  
 04-07-2018  
 24-07-2018  
 26-07-2018  
 04-08-2018  
 08-08-2018  
 29-10-2018  
 01-11-2018  
 01-11-2019  
 12-11-2019  
 13-11-2019  
 Drawing No:  
 Scale: Not to scale  
 All Dimensions are in CMs.



<b>CUSTOMER CARE DEPARTMENT</b>	<b>PUBLIC RELATION DEPARTMENT</b>	<b>LAISON DEPARTMENT</b>	<b>SECURITY DEPARTMENT</b>
AGM - 1	CM - 1	CM - 1	AGM (Security) - 1
CM - 1	DM - 1	Manager - 1	MANAGER - 1
MANAGER - 2	ASSISTANT - 1	Assistant - 2	OFFICER - 2
DM - 4	EXTRA - 1		
CLERK - 3			

**ENARC CONSULTANTS**  
**ARCHITECTS AND ENGINEERS**  
 M. G. Road, Thrissur - 1.  
 Tel. : +91 (487) 2441901  
 Fax : +91 (487) 2442011  
 E-mail : office@enarc.net.in

PROPOSED INTERIOR FURNISHING FOR HEAD OFFICE  
 STATE BANK OF INDIA,  
 TRIVANDRUM

**GROUND FLOOR  
 LAYOUT WITH ITEM NO**

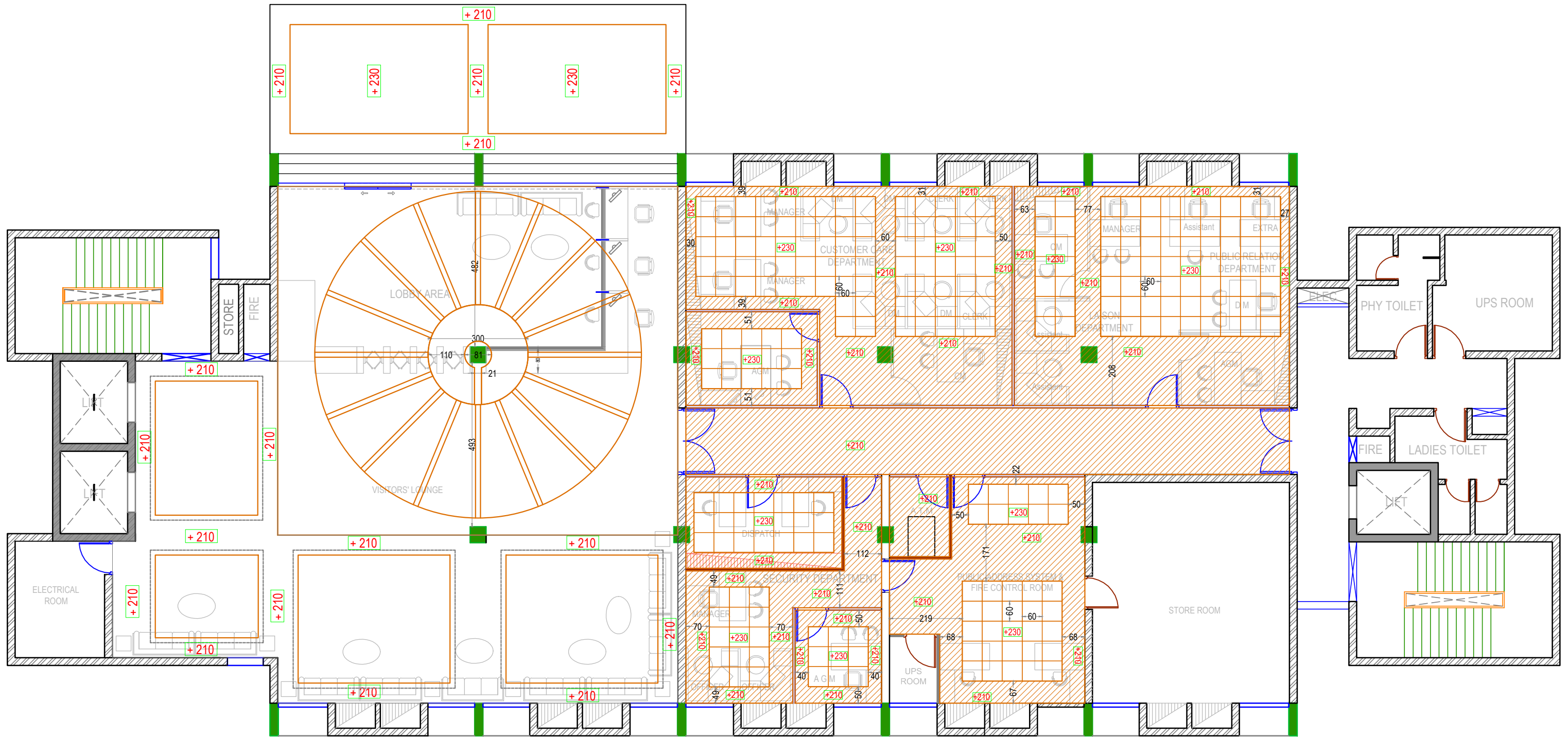
**LEGEND**

- FULLY GLAZED PARTITIONS
- MODULAR PARTITIONS (120 cm ht.)
- SOLID PARTITIONS
- FIRE RATED CEMENT PARTITION

Drawn by: GINISH K G  
 Architect: PRAVEEN.P  
 B. Arch.[Reg], A.I.I.A, A.I.I.I.D

Chief Architect: Ar. K. RAMAKRISHNAN  
 B.Sc.(Engg), M.I.E, C. Eng (I),  
 F.I.V, F.I.I.A. (Regd), A.I.I.I.D

Date: 13-11-2019  
 Sheet No: 02  
 Drawing No:  
 Scale: Not to scale  
 All Dimensions are in CMs.  
 13-11-2019



**ENARC CONSULTANTS**  
**ARCHITECTS AND ENGINEERS**  
 M. G. Road, Thrissur - 1.  
 Tel. : +91 (487) 2441901  
 Fax : +91 (487) 2442011  
 E-mail : office@enarc.net.in

PROPOSED INTERIOR FURNISHING FOR HEAD OFFICE  
 STATE BANK OF INDIA,  
 TRIVANDRUM

**GROUND FLOOR**  
**CEILING LAYOUT**

- LEGEND**
- FULLY GLAZED PARTITIONS
  - MODULAR PARTITIONS (120 cm ht.)
  - SOLID PARTITIONS
  - FIRE RATED CEMENT PARTITION

Drawn by GINISH K G  
 Architect  
 PRAVEEN.P  
 B. Arch. [Reg], A.I.I.A, A.I.I.I.D

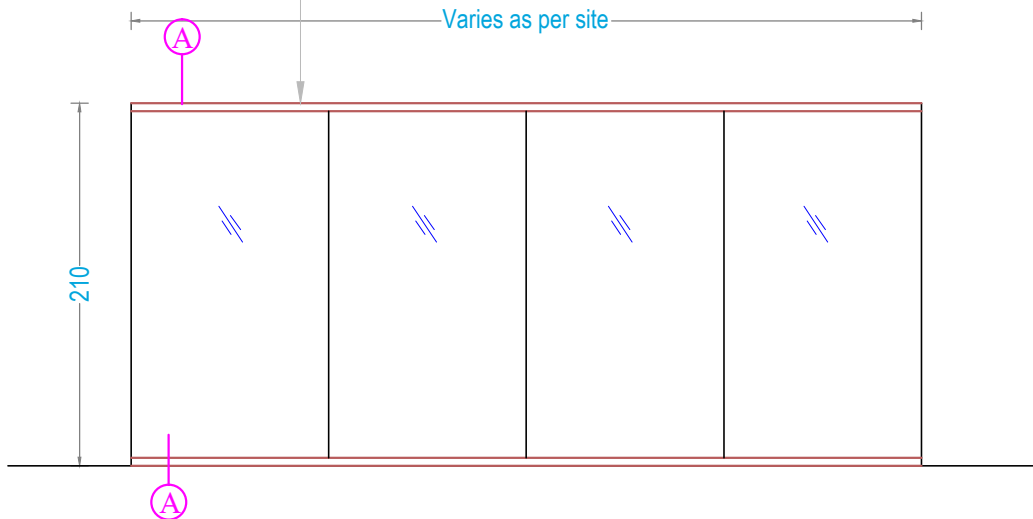
Chief Architect  
 Ar. K. RAMAKRISHNAN  
 B.Sc.(Engg), M.I.E, C. Eng (I),  
 F.I.V, F.I.I.A. (Regd), A.I.I.I.D

Date: 14-11-2019  
 Revision Date  
 Sheet No : 03  
 Drawing No:  
 Scale: Not to scale  
 All Dimensions are in CMs.

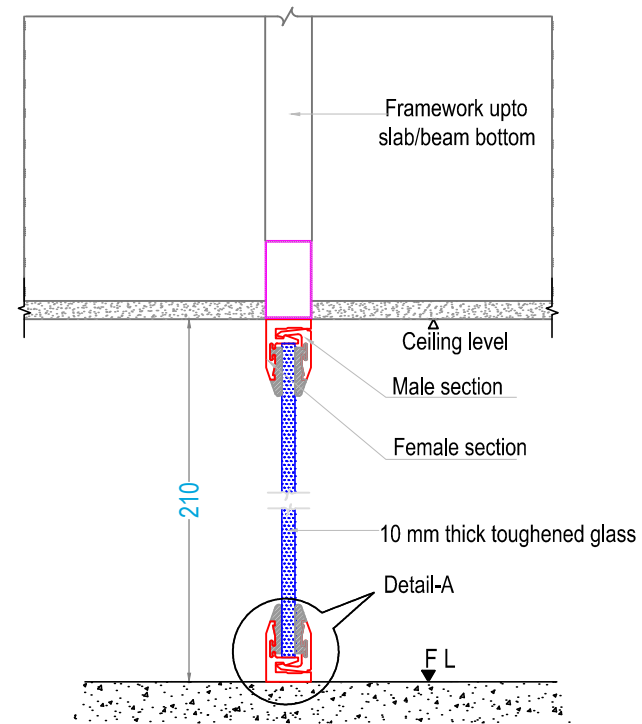


**ENARC CONSULTANTS**  
**ARCHITECTS & ENGINEERS**  
 M. G. Road, Thrissur - 1.  
 Tel. : (+91 487) 2441901  
 Fax : (+91 487) 2442011  
 E-mail : office@enarc.net.in

Alumium sections of slim line twin style twin pro section No. 6633(35 mm x 25mm) and 6634(35 mmx20mm) male and female sections providing inside with rubber gaskets in top and bottom upto ceiling level

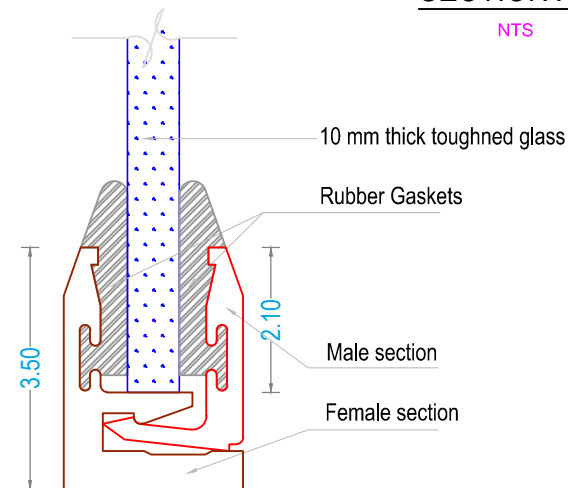


**FULL HEIGHT GLAZED PARTITION**



**SECTION AA**

NTS



**DETAIL - A**

**PROPOSED INTERIOR FURNISHING FOR  
 HEAD OFFICE, GROUND FLOOR  
 STATE BANK OF INDIA,  
 TRIVANDRUM**

DETAILS OF :		ITEM Nos.
FULL HEIGHT GLAZED PARTITION		1
Drawn by	GINISH K G	
Architect	PRAVEEN.P B. Arch.[Reg], A.I.I.A, A.I.I.I.D	
Chief Architect	Ar. K. RAMAKRISHNAN B.Sc.(Engg.), F.I.E, C.Eng(I), F.I.V.F.I.I.A.(Regd.), A.I.I.I.D	
Date: 14-11-2019	Drawing No.	
Revision Date:	Sheet No. 04	
	Scale NTS	
	All Dimensions are in CMs.	

**PROPOSED INTERIOR  
 FURNISHING FOR  
 HEAD OFFICE, GROUND FLOOR  
 STATE BANK OF INDIA,  
 TRIVANDRUM**

DETAILS OF :	ITEM NOS.
1. FULLY GLAZED DOOR	1a

Drawn by	GINISH KG
----------	-----------

Architect	PRAVEEN.P B. Arch.[Regd], A.I.I.A, A.I.I.I.D
-----------	---

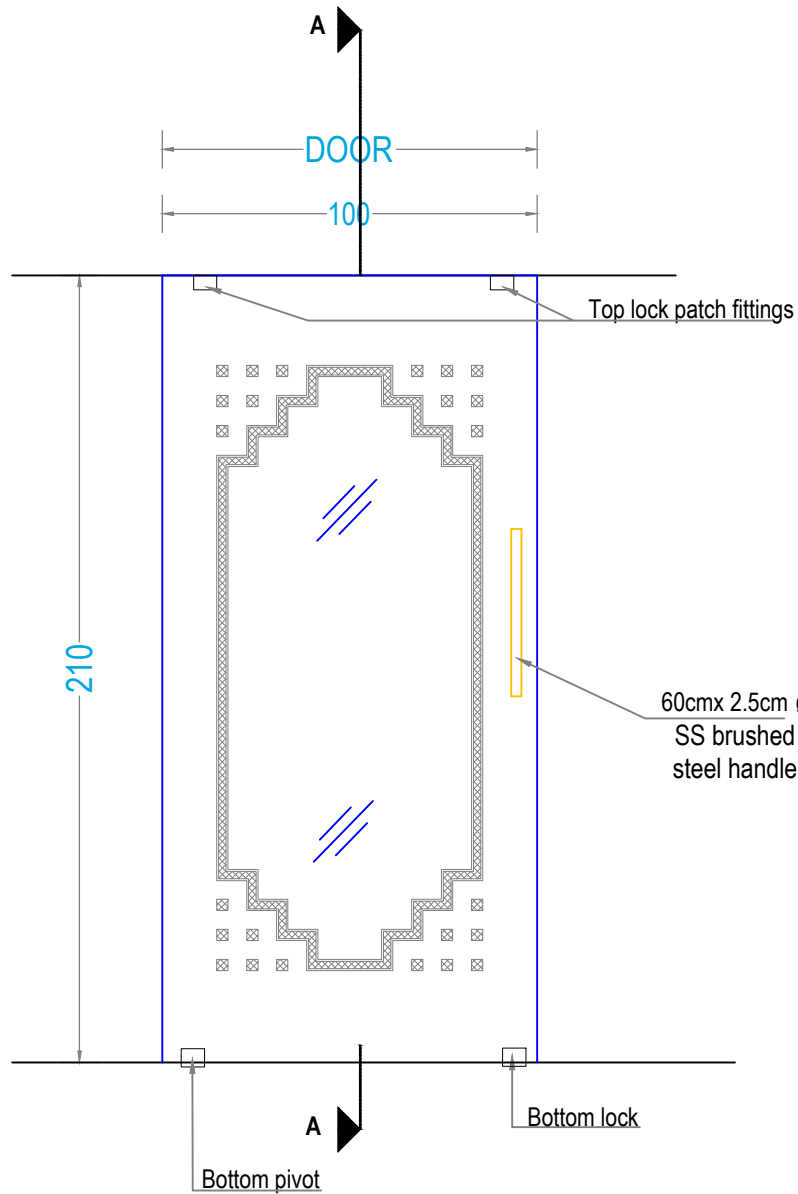
Chief Architect	Ar. K. RAMAKRISHNAN B.Sc.(Engg.), F.I.E, C.Eng(I), F.I.V.F.I.I.A.(Regd.), A.I.I.I.D
-----------------	---

Date: 14-11-2019	Drawing No.
------------------	-------------

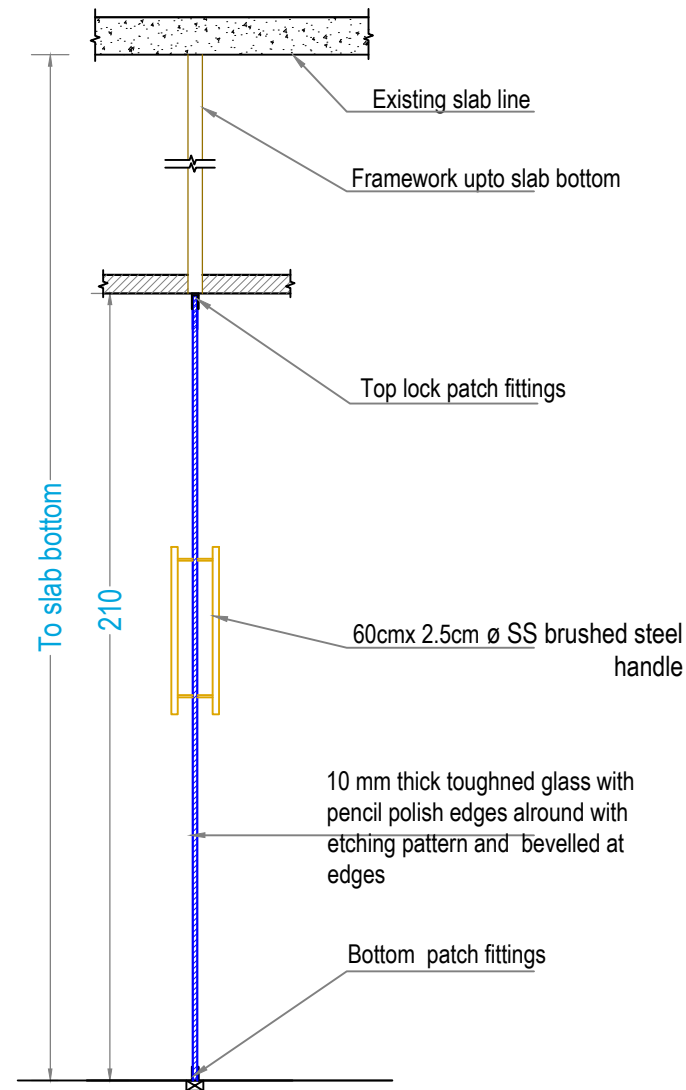
Revision Date:	Sheet No : 05
----------------	---------------

Scale	NTS
-------	-----

All Dimensions are in CMs.



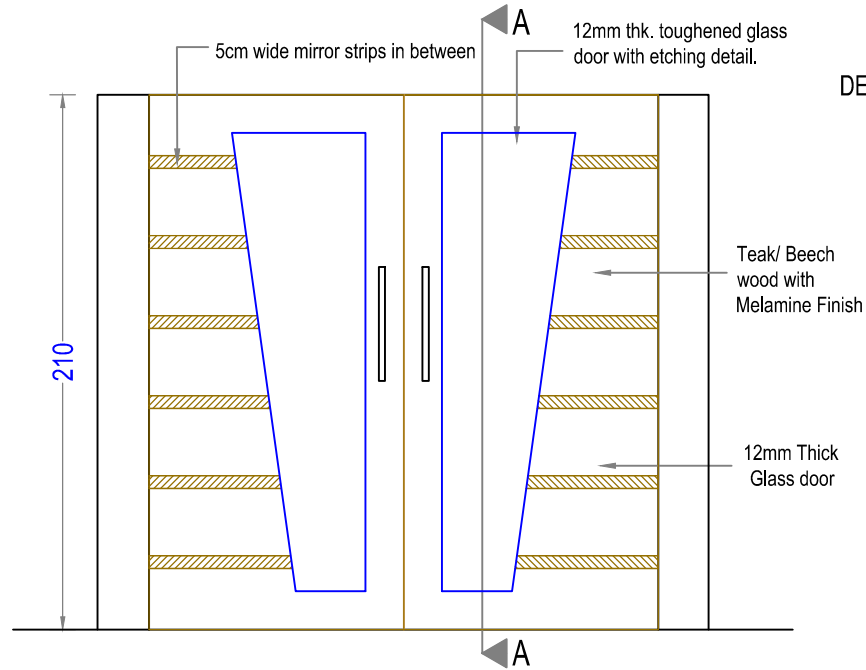
**ELEVATION**



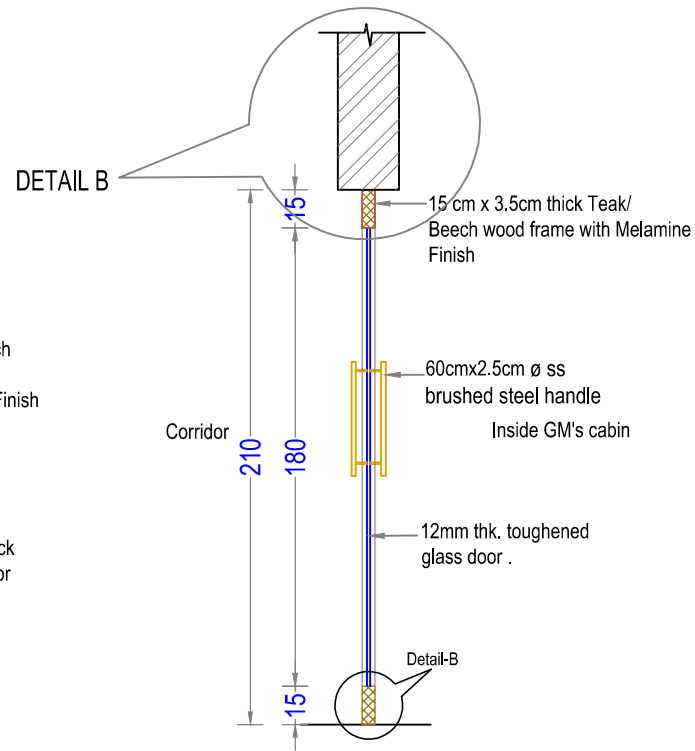
**SECTION- AA**



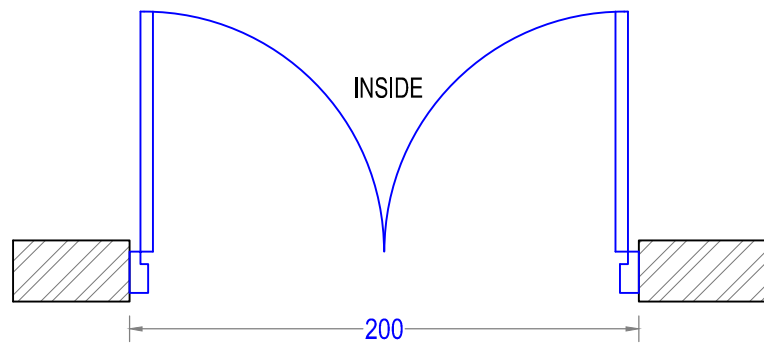
**ENARC CONSULTANTS**  
**ARCHITECTS AND ENGINEERS**  
 M. G. Road, Thrissur - 1.  
 Tel. : +91(487) 2441901  
 Fax : +91(487) 2442011  
 E-mail : office@enarc.net.in



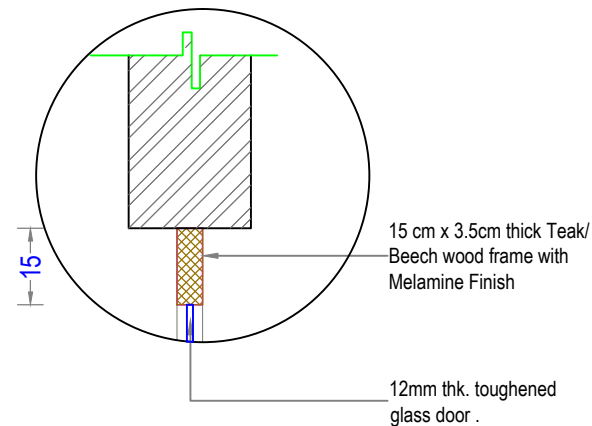
**ELEVATION**



**SECTION - AA**



**PLAN**



**DETAIL B**

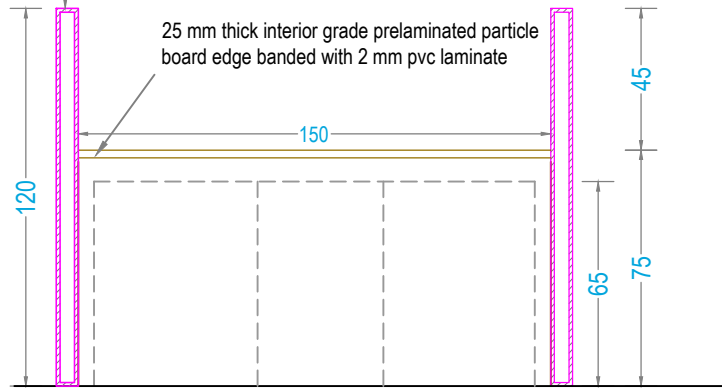
**PROPOSED INTERIOR FURNISHING  
 FOR HEAD OFFICE, GROUND FLOOR  
 STATE BANK OF INDIA,  
 TRIVANDRUM**

DETAILS OF :	ITEM NOS.
1. DOOR	2

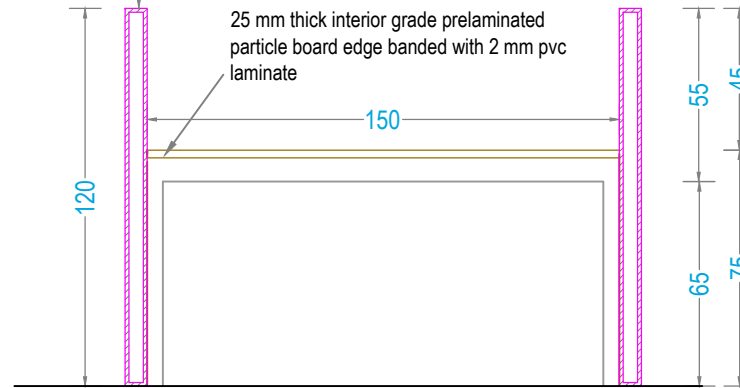
Drawn by	GINISH KG
Architect	PRAVEEN.P B. Arch,[Regd], A.I.I.A, A.I.I.I.D
Chief Architect	Ar. K. RAMAKRISHNAN B.Sc.(Engg.), F.I.E, C.Eng(I), F.I.V.F.I.I.A.(Regd), A.I.I.I.D

Date: 14-11-2019	Drawing No.
Revision Date:	Sheet No: 06
	Scale NTS
All Dimensions are in CMs.	

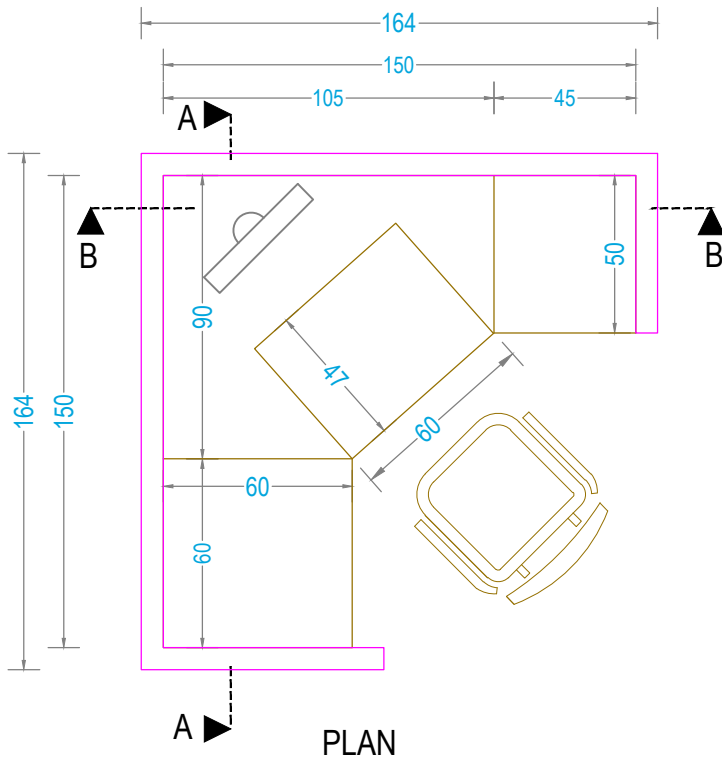
65mm to 75mm thick powder coated 1.2mm thick CRCA partitions with prepunched cutouts to run electric & networking cables. Dual Race ways punch out to fix electrical & data modules for Power & data at just below table and skirting level. 9 mm tiles both sides prelaminate particle board/ fabric clad board/glass/soft board as required by using sliding panel method



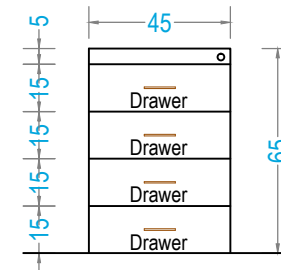
**SECTION AA OF TABLE**



**SECTION BB OF TABLE**



**PLAN**



**DRAWER UNIT**

**PROPOSED INTERIOR FURNISHING  
 FOR HEAD OFFICE, GROUND FLOOR  
 STATE BANK OF INDIA,  
 TRIVANDRUM**

DETAILS OF	ITEM NOS.
1. MODULAR PARTITION &	5
2. TABLE - (150X150X75CMS)	15

Drwn by GINISH KG

Architect PRAVEEN.P  
 B. Arch, [Regd], A.I.I.A, A.I.I.I.D

Chief Architect

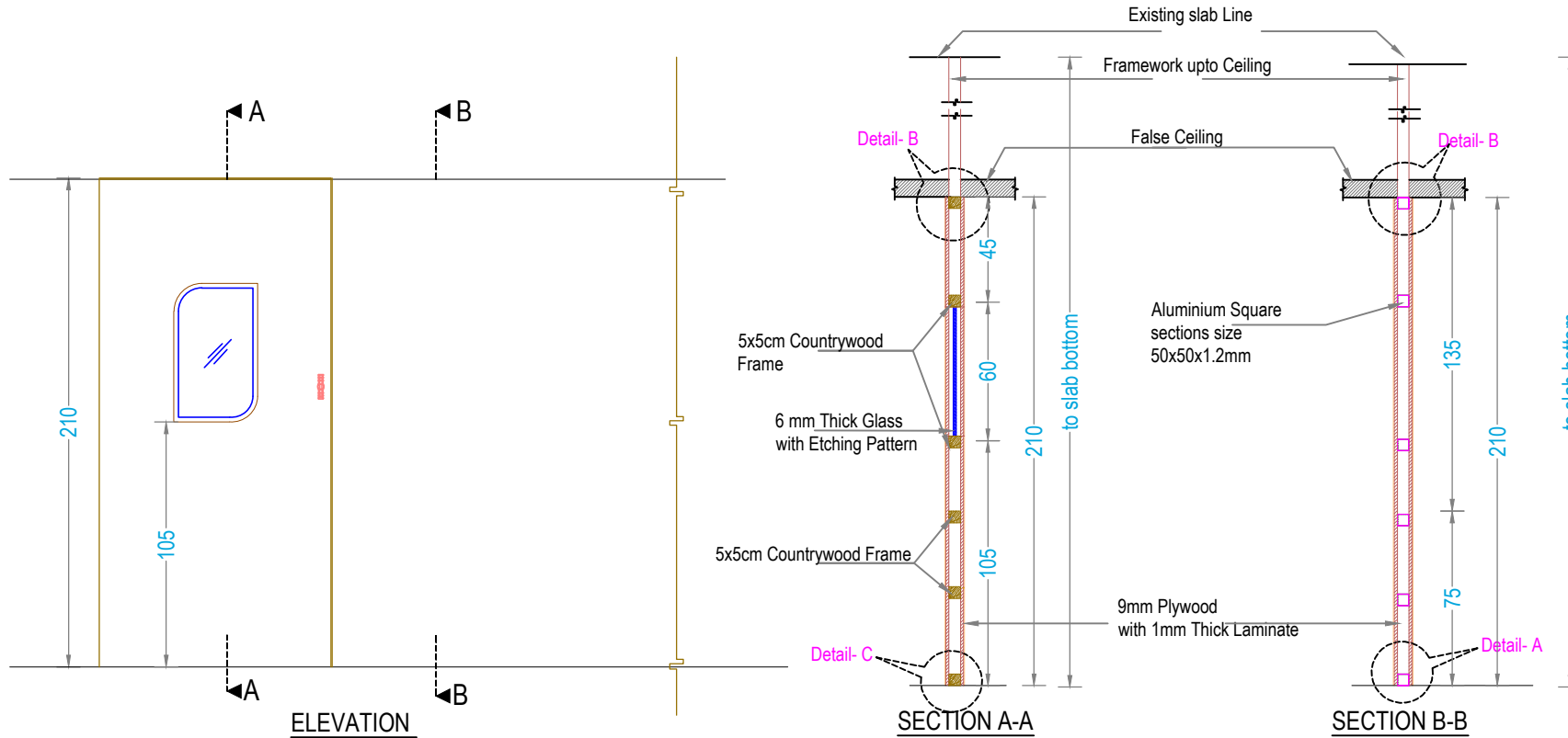
Ar. K. RAMAKRISHNAN  
 B.Sc.(Engg.), F.I.E, C.Eng(I),  
 F.I.V.F.I.I.A (Regd.), A.I.I.I.D

Date: 14-11-2019 Drawing No.

Revision Date: Sheet No: 07

Scale NTS

All Dimensions are in CMs.



**PROPOSED INTERIOR FURNISHING  
FOR HEAD OFFICE, GROUND FLOOR  
STATE BANK OF INDIA  
TRIVANDRUM**

DETAILS OF :	ITEM NOS.
1. DOUBLE SKIN SOLID PARTITION	6
2. DOUBLE SKIN SOLID DOOR	6a

Drawn by VINEETHA

Architect PRAVEEN.P  
B. Arch. [Regd], A.I.I.A, A.I.I.I.D

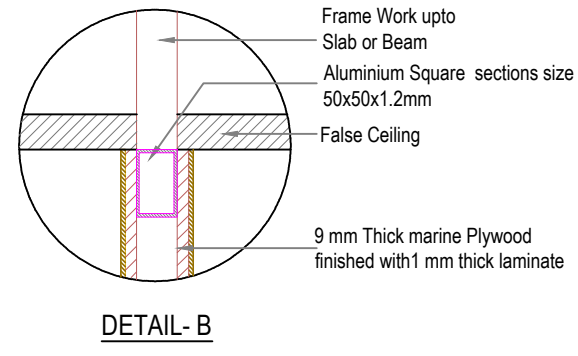
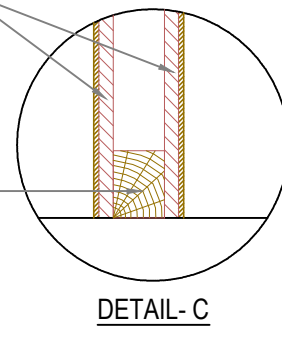
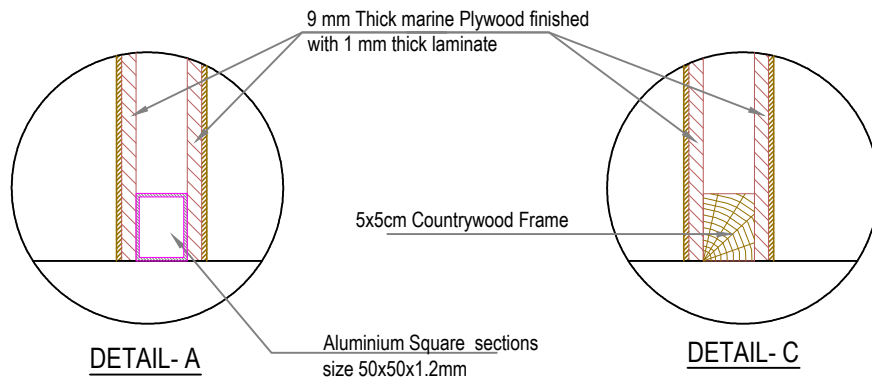
Chief Architect  
Ar. K. RAMAKRISHNAN  
B.Sc (Engg.), F.I.E, C.Eng(I),  
F.I.V.F.I.A. (Regd.), A.I.I.A, A.I.I.I.D

Date: 14-11-2019 Drawing No.

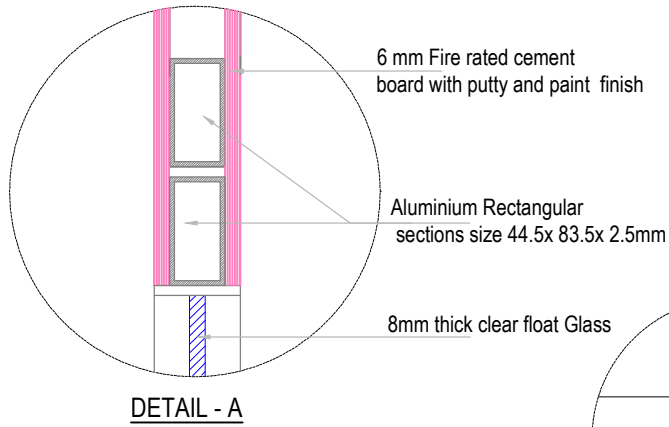
Revision Date: Sheet No: 08

Scale NTS

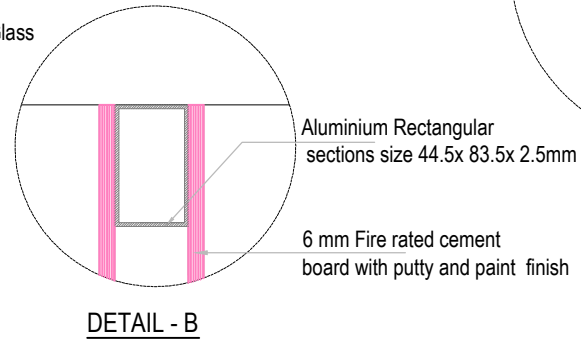
All Dimensions are in CMs.



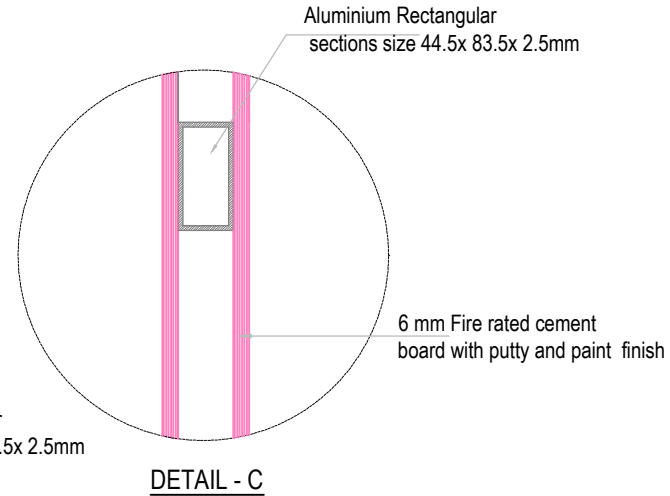




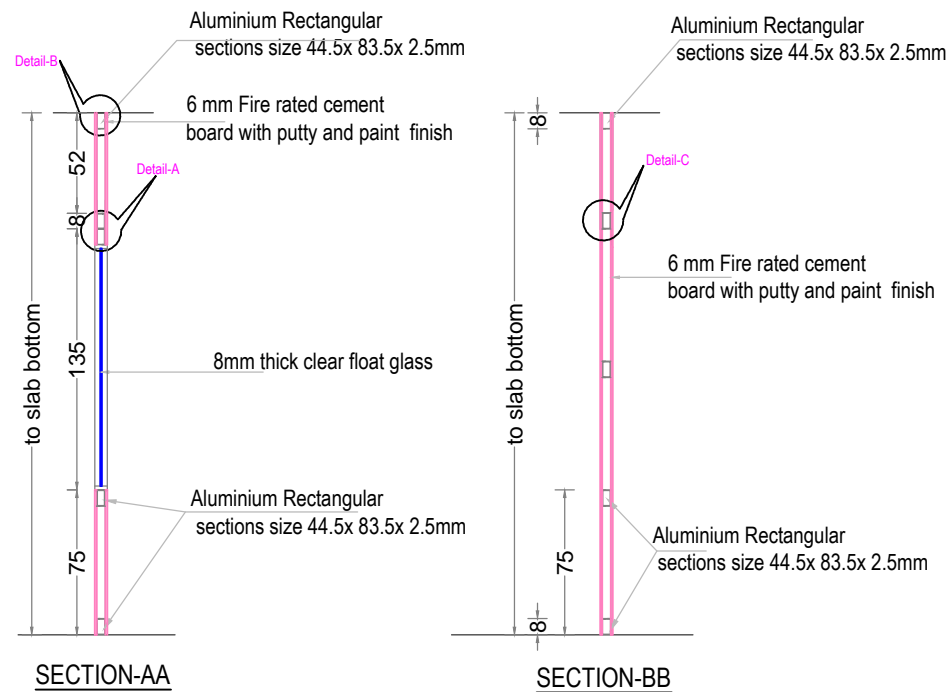
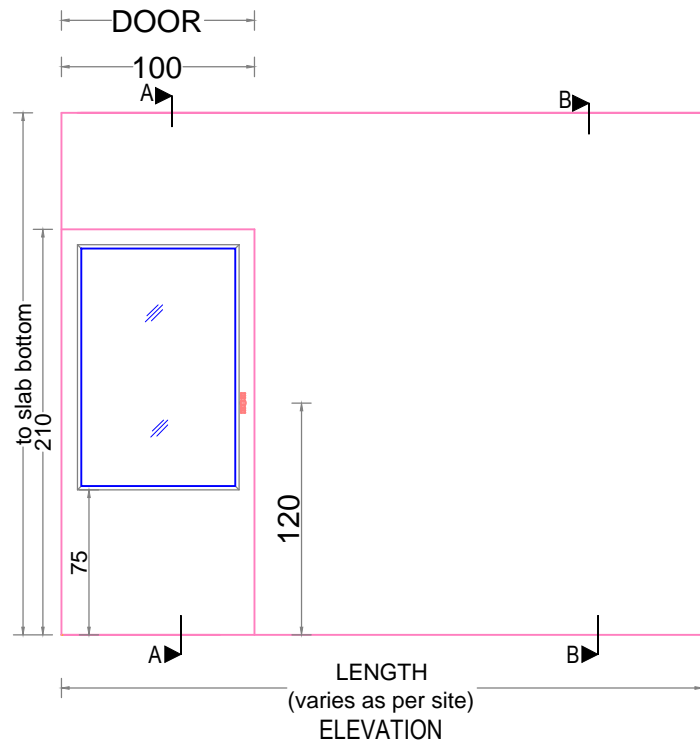
**DETAIL - A**



**DETAIL - B**



**DETAIL - C**



**PROPOSED INTERIOR FURNISHING  
 FOR HEAD OFFICE, GROUND FLOOR  
 STATE BANK OF INDIA  
 TRIVANDRUM**

**FIRE RATED  
 CEMENT/AEROCON PARTITION**

DETAILS OF :-	ITEM NOS.
1. FIRE RATED CEMENT/AEROCON PARTITION	7
2. PARTLY GLAZED DOOR	7 a

Drawn by : **GINISH K G**

Architect : **Praveen.P  
 B. Arch.[Reg], A.I.I.A, A.I.I.I.D**

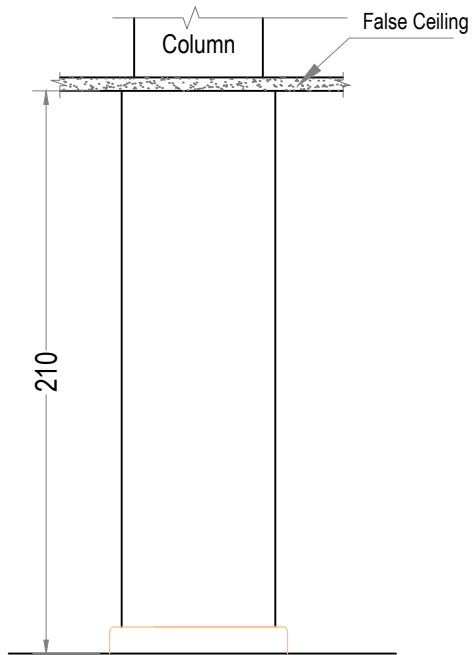
Chief Architect : **Ar. K. RAMAKRISHNAN  
 B.Sc.(Engg), F.I.E, C. Eng (I),  
 F.I.V, F.I.I.A. (Regd), A.I.I.I.D**

Date : 14-11-2019      Revision Date

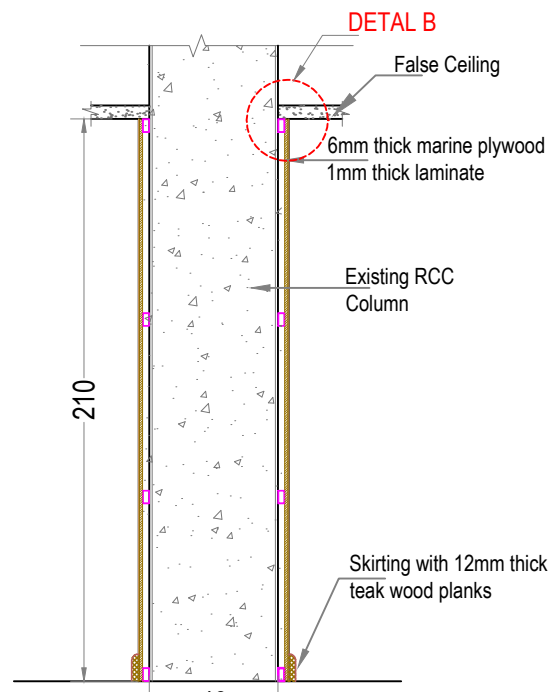
Scale : NTS

Sheet No : **09**

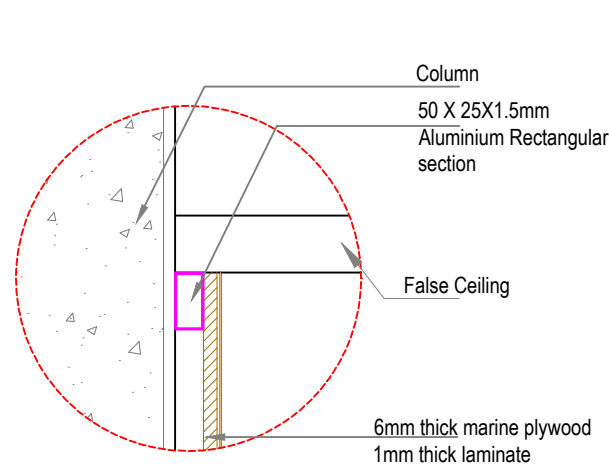
Note: All Dimensions are in CMs.



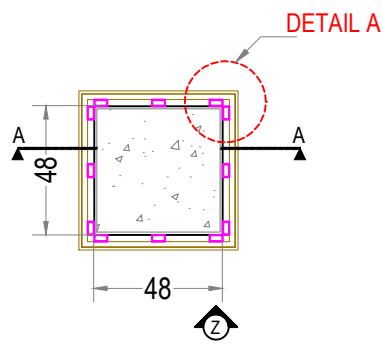
**ELEVATION Z**



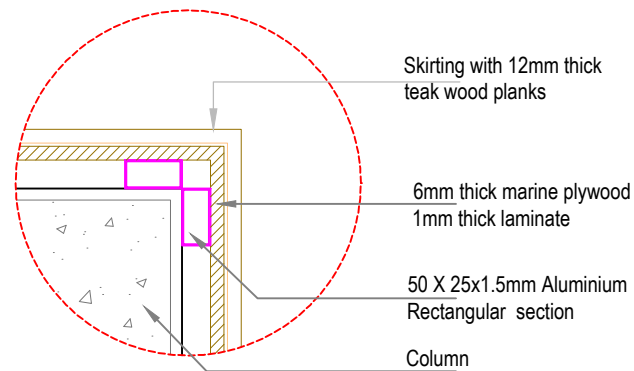
**SECTION A-A**



**DETAIL B**



**PLAN**



**DETAIL A**

**PROPOSED INTERIOR FURNISHING  
FOR HEAD OFFICE, GROUND FLOOR  
STATE BANK OF INDIA,  
TRIVANDRUM**

DETAILS OF :	ITEM NOS.
COLUMN PANELING	8

Drawn by: GINISH KG

Architect: PRAVEEN.P  
B. Arch.[Reg], A.I.I.A, A.I.I.I.D

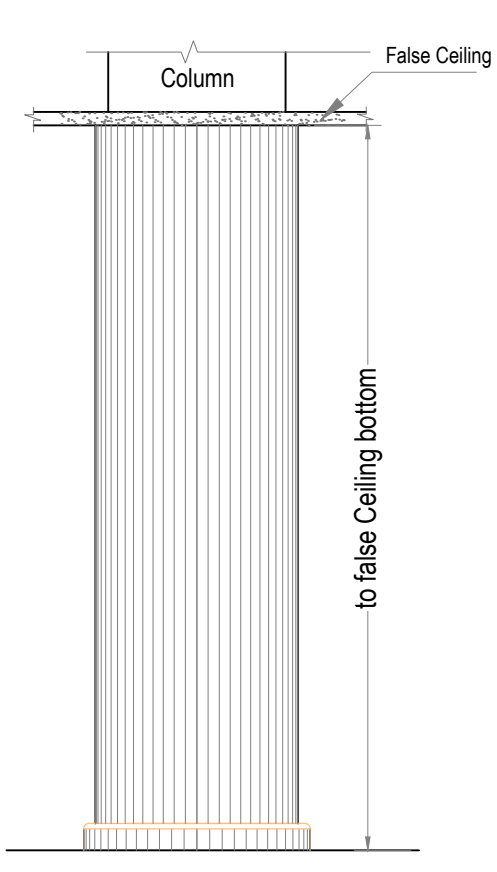
Chief Architect: K. RAMAKRISHNAN  
B.Sc.(Engg), M.I.E, C. Eng (I),  
F.I.V.A.I.I.A.(Regd.)

Date: 14-11-2019 Drawing No.

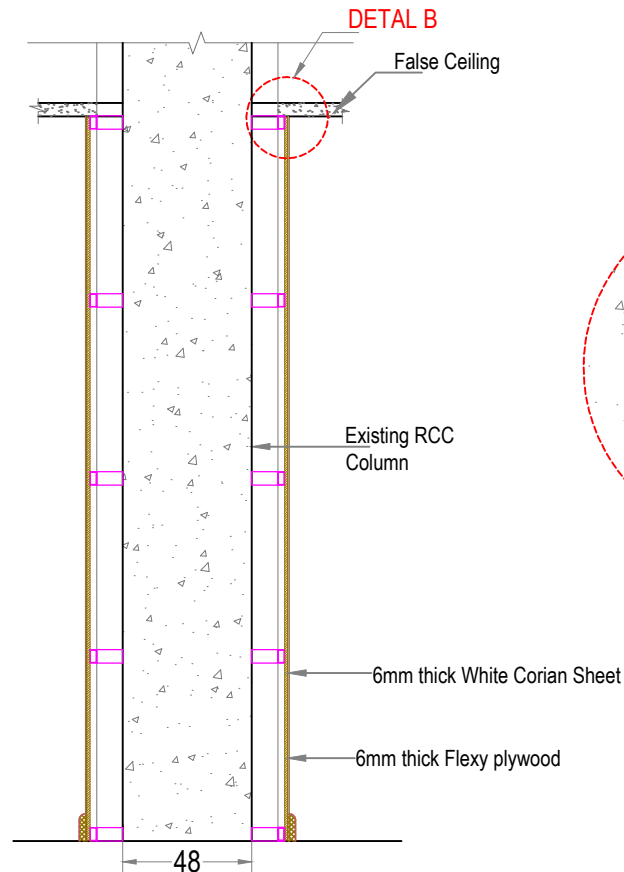
Revision Date: Sheet No: 10

Scale: NTS

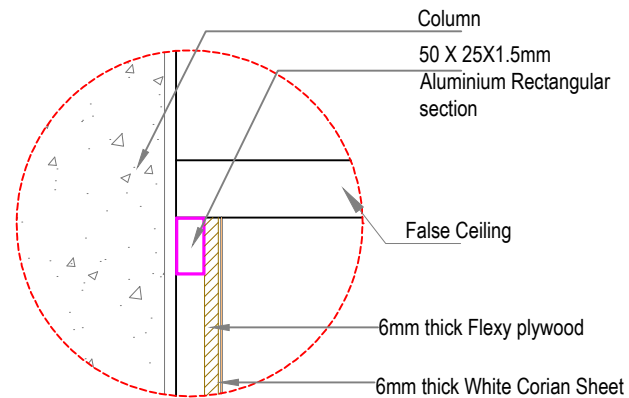
All Dimensions are in CMs.



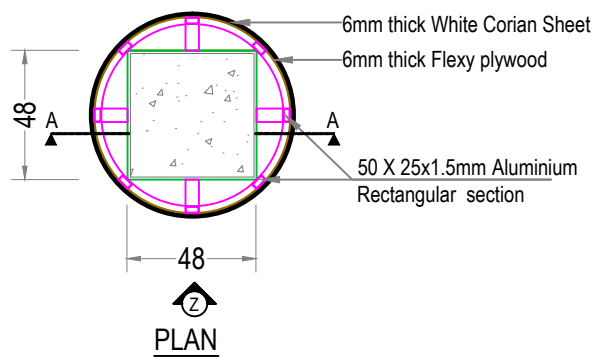
**ELEVATION Z**



**SECTION A-A**



**DETAIL B**



**PROPOSED INTERIOR FURNISHING  
FOR HEAD OFFICE, GROUND FLOOR  
STATE BANK OF INDIA,  
TRIVANDRUM**

DETAILS OF :	ITEM NOS.
COLUMN PANELING	8b

Drwan by GINISH KG

Architect PRAVEEN.P  
B. Arch.[Reg], A.I.I.A, A.I.I.I.D

Chief Architect

K. RAMAKRISHNAN  
B.Sc.(Engg), M.I.E, C. Eng (I),  
F.I.V.A.I.I.A.(Regd.)

Date: 14-11-2019 Drawing No.

Revision Date: Sheet No: 11

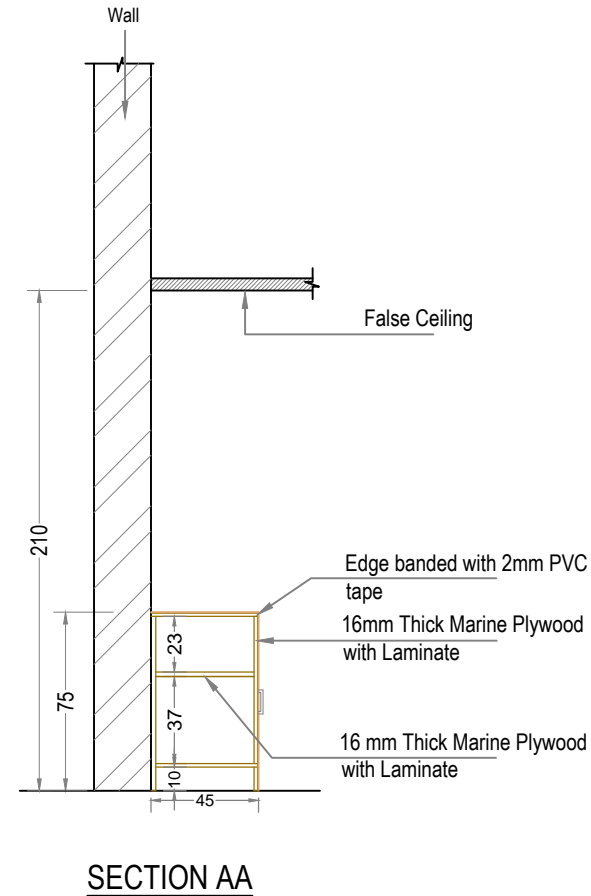
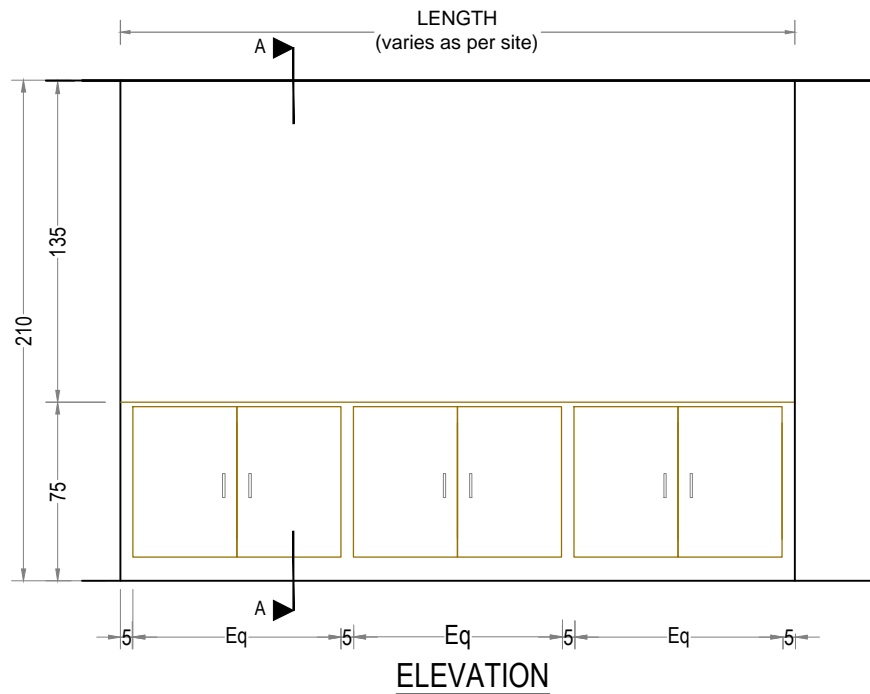
Scale NTS

All Dimensions are in CMs.



**ENARC CONSULTANTS**  
 ARCHITECTS & ENGINEERS  
 M. G. Road, Thrissur - 1.  
 Tel. : (+91 487) 2441901  
 Fax : (+91 487) 2442011  
 E-mail : office@enarc.net.in

**PROPOSED INTERIOR FURNISHING  
 FOR HEAD OFFICE, GROUND FLOOR  
 STATE BANK OF INDIA,  
 TRIVANDRUM**

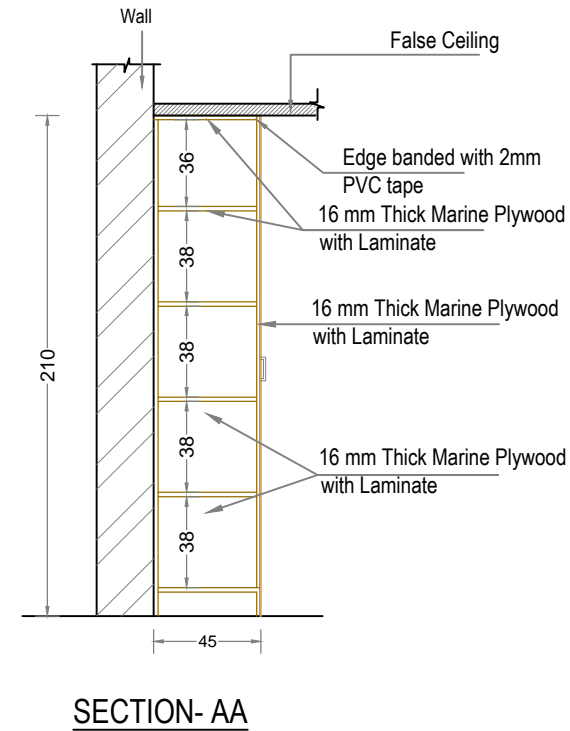
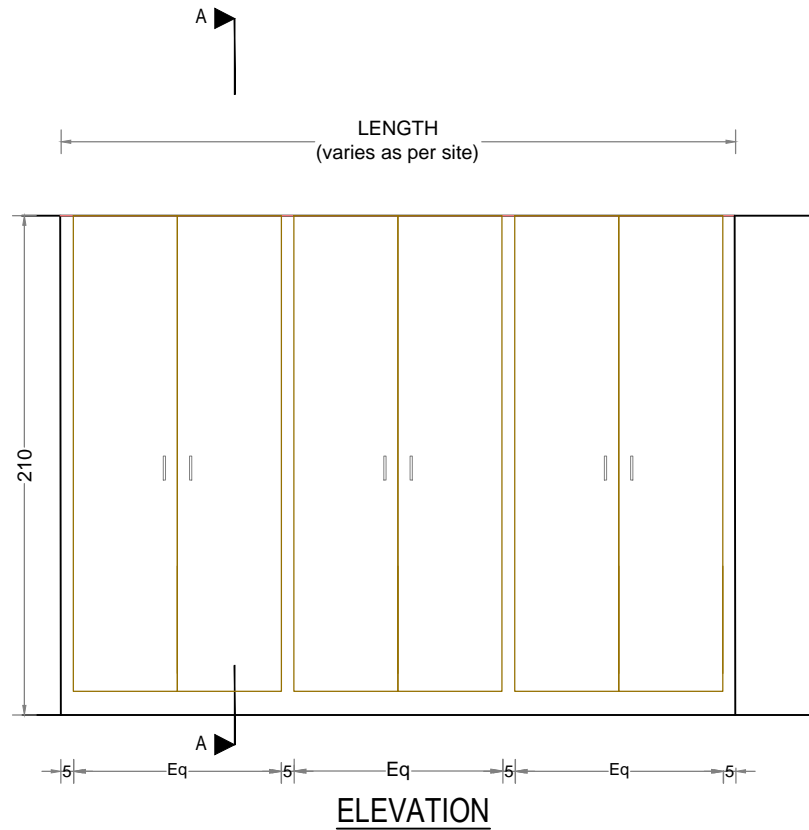


DETAILS OF : CUPBOARD- LOW LEVEL ( 75 cm Height )		ITEM NOS. 9a
Drawn by	GINISH KG	
Architect	PRAVEEN.P B. Arch,[Regd], A.I.I.A, A.I.I.I.D	
Chief Architect	Ar. K. RAMAKRISHNAN B.Sc.(Engg), M.I.E, C. Eng (I), F.I.V , F.I.I.A. (Regd), A.I.I.I.D	
Date: 14-11-2019	Drawing No.	
Revision Date:	Sheet No. 12	
	Scale NTS	
	All Dimensions are in CMs.	



**ENARC CONSULTANTS**  
 ARCHITECTS AND ENGINEERS  
 M. G. Road, Thrisur - 1.  
 Tel. : +91(487) 2441901  
 Fax : +91(487) 2442011  
 E-mail : office@enarc.net.in

**PROPOSED INTERIOR FURNISHING  
 FOR HEAD OFFICE, GROUND FLOOR  
 STATE BANK OF INDIA,  
 TRIVANDRUM**



DETAILS OF :	ITEM NOS.
CUPBOARD- HIGH LEVEL ( 210 cm Height )	9b

Drawn by	GINISH K G
----------	------------

Architect	PRAVEEN.P B. Arch,[Regd], A.I.I.A, A.I.I.I.D
-----------	---

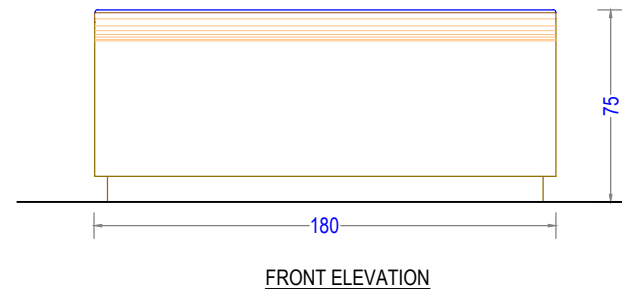
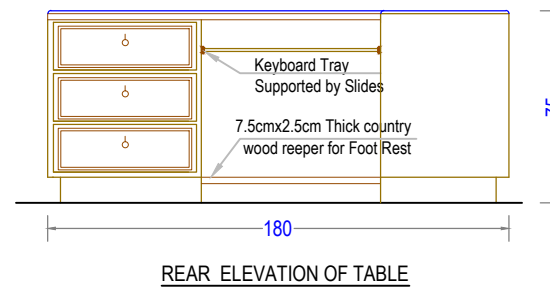
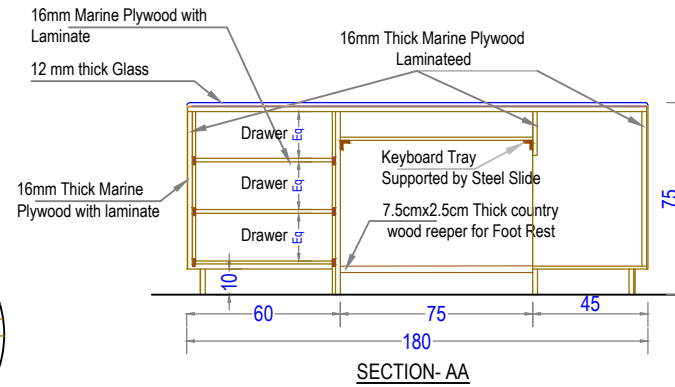
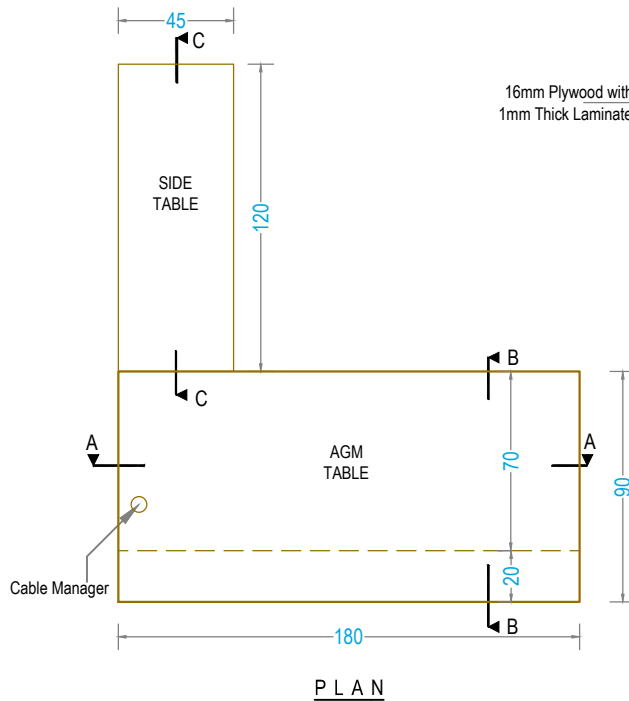
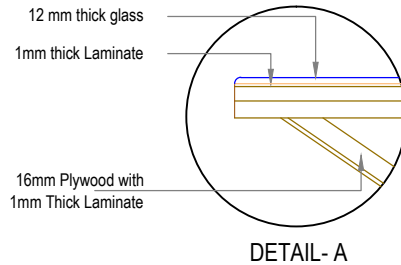
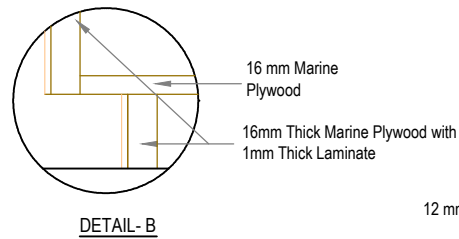
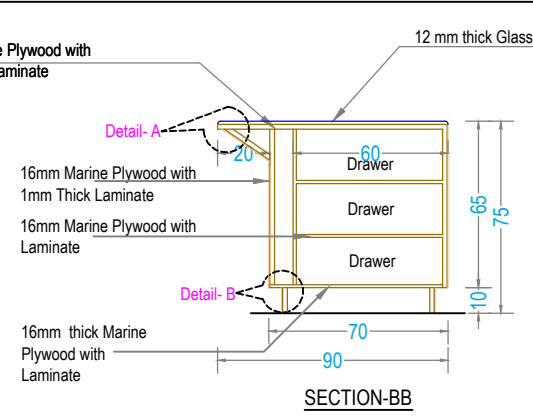
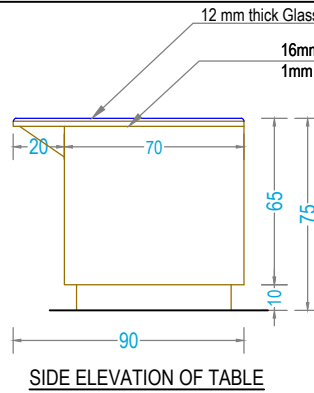
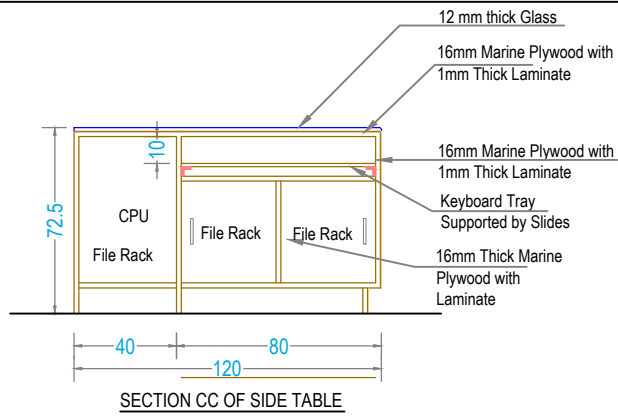
Chief Architect	Ar. K. RAMAKRISHNAN B.Sc.(Engg), F.I.E, C. Eng (I), F.I.V , F.I.I.A. (Regd), A.I.I.I.D
-----------------	--

Date: 14-11-2019	Drawing No.
------------------	-------------

Revision Date:	Sheet No. 13
----------------	--------------

Scale	NTS
-------	-----

All Dimensions are in CMs.



**PROPOSED INTERIOR FURNISHING  
 FOR HEAD OFFICE, GROUND FLOOR  
 STATE BANK OF INDIA,  
 TRIVANDRUM**

DETAILS OF :	ITEM NOS.
1. AGM TABLE (180X90X75)	12
2. SIDE TABLE (120X45X72.5)	17a

Drawn by: GINISH KG

Architect: PRAVEEN.P  
 B. Arch,[Regd], A.I.I.A, A.I.I.I.D

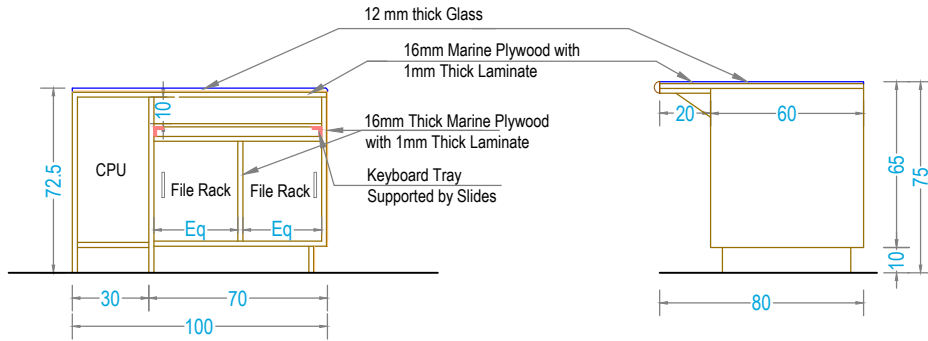
Chief architect: Ar. K. RAMAKRISHNAN  
 B.Sc.(Engg.), F.I.E, C(Eng(I)),  
 F.I.V,F.I.I.A.(Regd.), A.I.I.I.D

Date: 14-11-2019 Drawing No.

Revision Date: Sheet No. 14

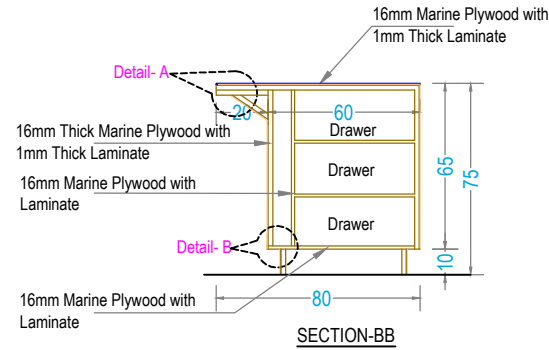
Scale: NTS

All Dimensions are in CMs.

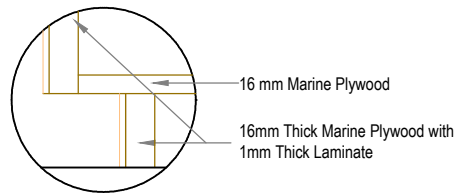


**SECTION CC OF SIDE TABLE**

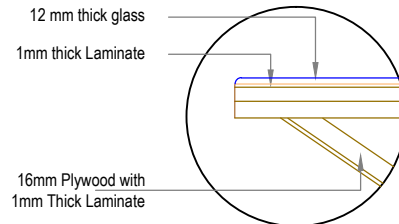
**SIDE ELEVATION OF TABLE**



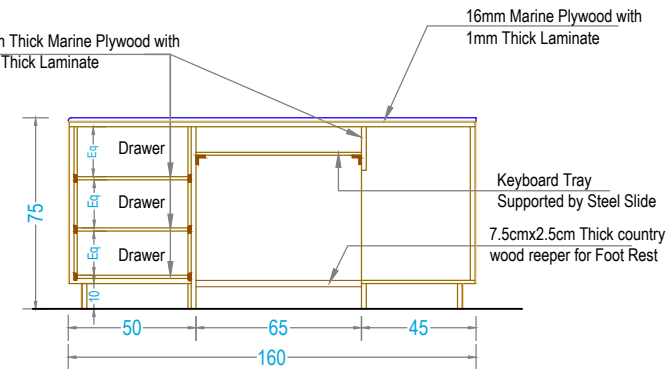
**SECTION-BB**



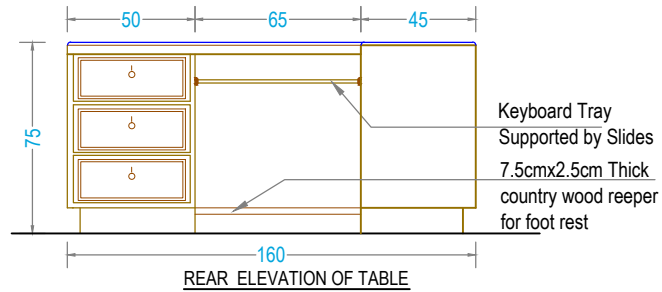
**DETAIL-B**



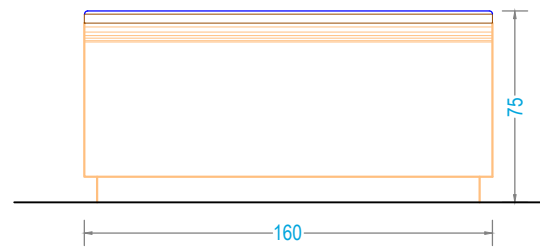
**DETAIL-A**



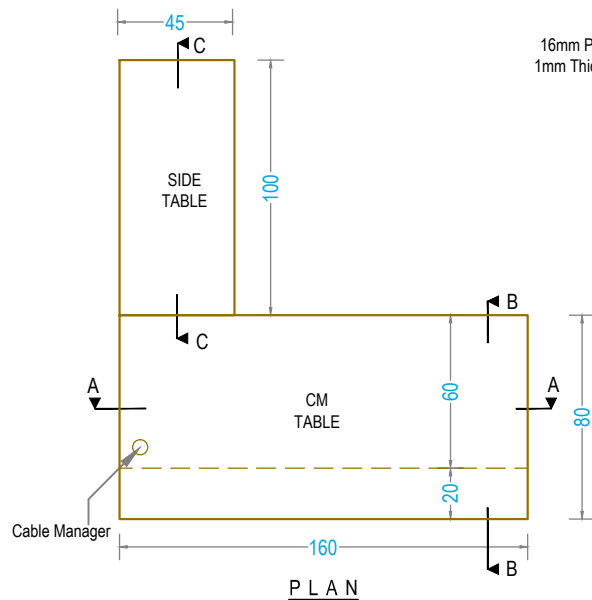
**SECTION- AA**



**REAR ELEVATION OF TABLE**



**FRONT ELEVATION**



**PLAN**

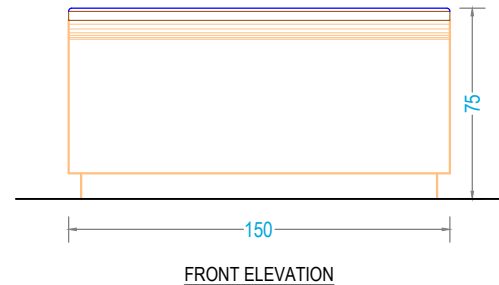
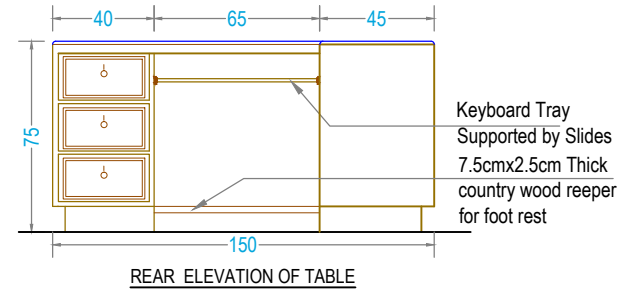
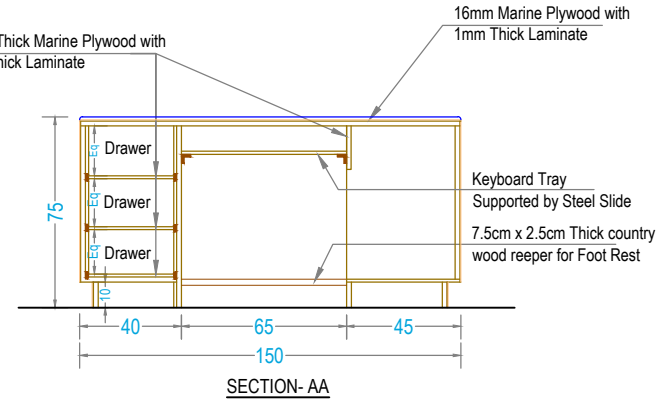
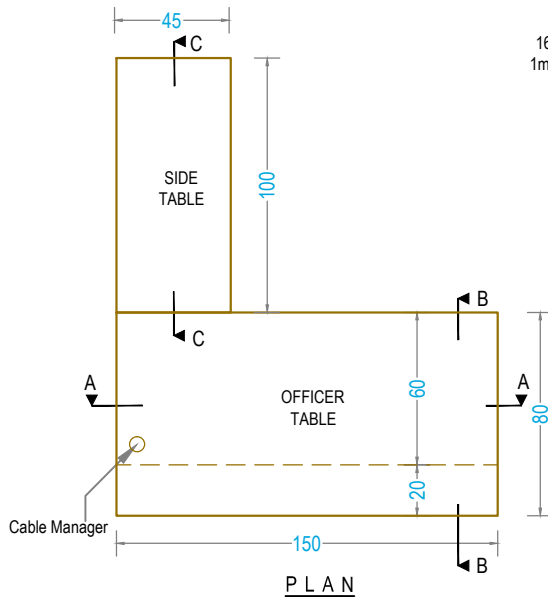
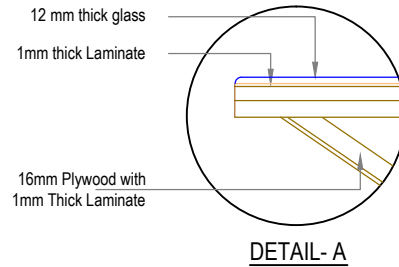
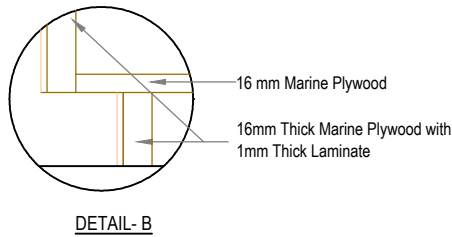
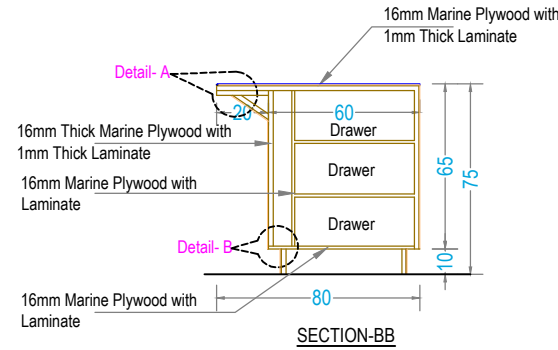
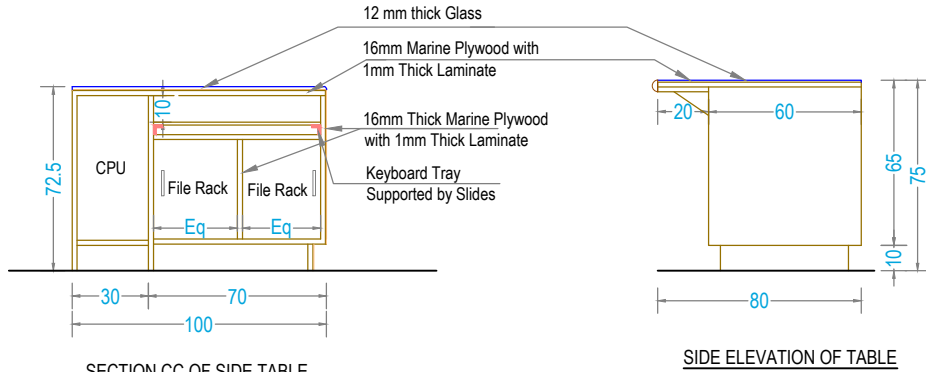
**PROPOSED INTERIOR FURNISHING  
 FOR HEAD OFFICE, GROUND FLOOR  
 STATE BANK OF INDIA,  
 TRIVANDRUM**

DETAILS OF :	ITEM NOS.
1. CM TABLE (160X80X75)	13
2. SIDE TABLE (100X45X72.5)	17b

Drawn by	GINISH KG
Architect	PRAVEEN.P B. Arch,[Regd], A.I.I.A, A.I.I.I.D

Chief architect	Ar. K. RAMAKRISHNAN B.Sc.(Engg.), F.I.E, C.Eng(I), F.I.V.F.I.I.A (Regd.), A.I.I.I.D
-----------------	---

Date: 14-11-2019	Drawing No.
Revision Date:	Sheet No. 15
	Scale NTS
	All Dimensions are in CMs.



**PROPOSED INTERIOR FURNISHING  
 FOR HEAD OFFICE, GROUND FLOOR  
 STATE BANK OF INDIA,  
 TRIVANDRUM**

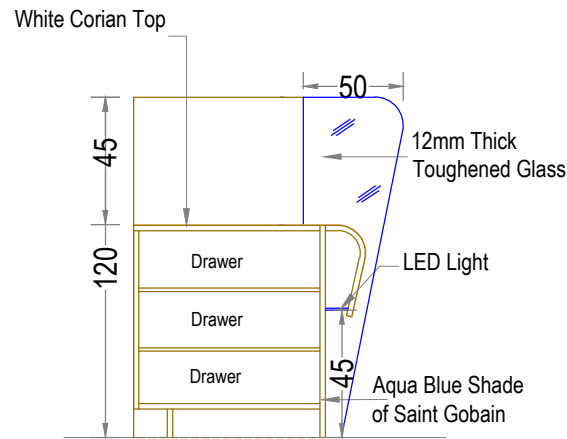
DETAILS OF :	ITEM NOS.
1. MANAGER TABLE (150X80X75)	14
2. SIDE TABLE (100X45X72.5)	17b

Drawn by	GINISH KG
Architect	PRAVEEN.P B. Arch.[Regd], A.I.I.A, A.I.I.I.D
Chief architect	

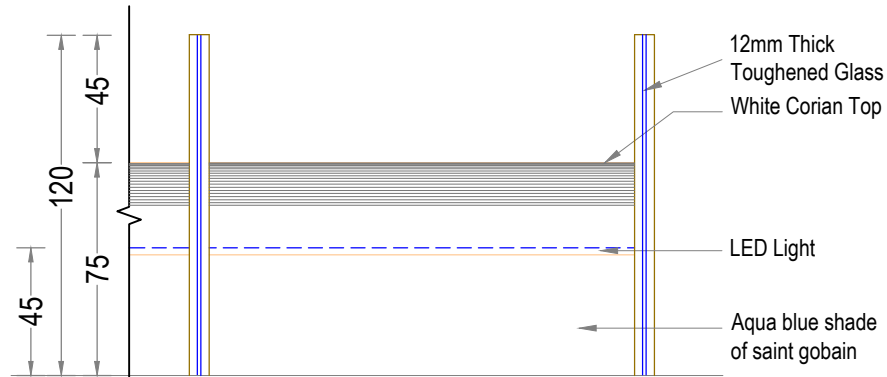
Ar. K. RAMAKRISHNAN  
 B.Sc.(Engg.), F.I.E, C.Eng(I),  
 F.I.V.F.I.I.A.(Regd.), A.I.I.I.D

Date: 14-11-2019	Drawing No.
Revision Date:	Sheet No. 16
	Scale NTS
All Dimensions are in CMs.	

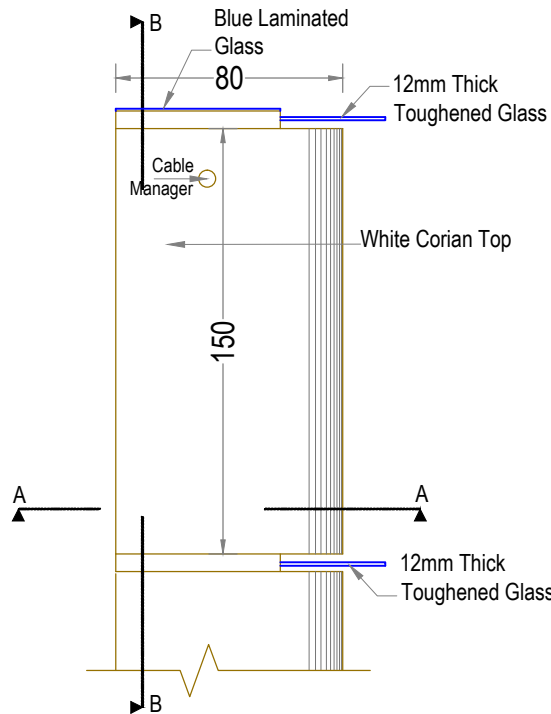




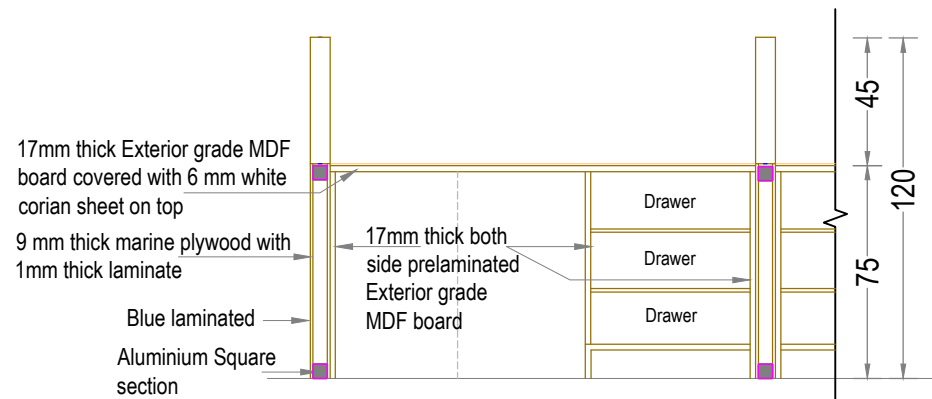
**SECTION A-A**



**FRONT ELEVATION**



**PLAN**



**SECTION B-B**

**PROPOSED INTERIOR FURNISHING FOR HEAD OFFICE ,GROUND FLOOR STATE BANK OF INDIA, TRIVANDRUM**

DETAILS OF :	ITEM NOS.
LOBBY TABLE (150X80X75CM)	16a

Drawn by : GINISH K G

Architect : Praveen.P  
B. Arch.[Reg], A.I.I.A, A.I.I.I.D

Chief Architect : Ar. K. RAMAKRISHNAN  
B.Sc.(Engg), F.I.E, C. Eng (I),  
F.I.V , F.I.I.A. (Regd), A.I.I.I.D

Date : 14 - 11 - 2019	Revision Date
Scale : NTS	
Sheet No : 17	
Note: All Dimensions are in CMs.	